



Portable Socket

Featuring LoRaWAN[®]

WS52x

User Guide



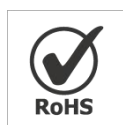
Safety Precautions

Milesight will not shoulder responsibility for any losses or damages resulting from not following the instructions of this operating guide.

- ❖ The device must not be modified in any way.
- ❖ In order to protect the security of the device, please change device the password when first configuration. The default password is 123456.
- ❖ In order to get best data transmission, ensure the device is within the signal range of the LoRaWAN® gateway and avoid the metal obstacles.
- ❖ Do not overload the maximum capacity in order to avoid the damage of the device.
- ❖ The device is intended only for indoor use. Do not place the device where the temperature is below/above the operating range.
- ❖ Do not place the device close to objects with naked flames, heat source (oven or sunlight), cold source, liquid and extreme temperature changes.
- ❖ Use the device only in clean environment. Dusty or dirty environments may prevent the proper operation of this device.
- ❖ The device must never be subjected to shocks or impacts.
- ❖ Use a dry, clean cloth to clean the device. Do not use strong chemicals or detergents which may damage the device.

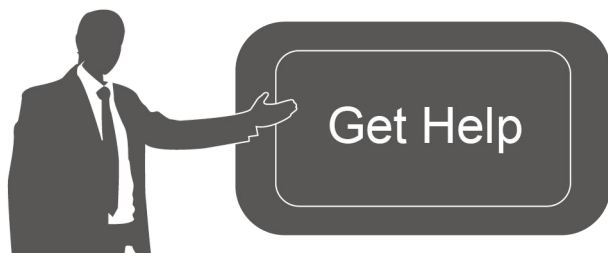
Declaration of Conformity

WS52x is in conformity with the essential requirements and other relevant provisions of the CE, FCC, and RoHS.



Copyright © 2011-2022 Milesight. All rights reserved.

All information in this guide is protected by copyright law. Whereby, no organization or individual shall copy or reproduce the whole or part of this user guide by any means without written authorization from Xiamen Milesight IoT Co., Ltd.



For assistance, please contact

Milesight technical support:

Email: iot.support@milesight.com

Tel: 86-592-5085280

Fax: 86-592-5023065

Address: Building C09, Software Park III,
Xiamen 361024, China

Revision History

Date	Doc Version	Description
August 11, 2021	V 1.0	Initial version
October 25, 2021	V 1.1	<ol style="list-style-type: none">1. Add multicast feature2. Support RX2 configuration
January 10, 2022	V 1.2	Support power outage alert

Contents

1. Product Introduction.....	5
1.1 Overview.....	5
1.2 Features.....	5
2. Hardware Introduction.....	5
2.1 Packing List.....	5
2.2 Hardware Overview.....	6
2.3 Dimensions.....	6
2.4 Power Button and LED Patterns.....	6
3. Operation Guide.....	7
3.1 NFC Configuration.....	7
3.2 LoRaWAN Settings.....	8
3.2.1 Basic Settings.....	8
3.2.2 Frequency Settings.....	9
3.2.3 Multicast Settings.....	10
3.3 General Settings.....	12
3.4 Maintenance.....	13
3.4.1 Upgrade.....	13
3.4.2 Backup.....	14
3.4.3 Reset to Factory Default.....	15
4. Device Payload.....	15
4.1 Basic Information.....	15
4.2 Sensor Data.....	16
4.3 Power Outage Alert.....	17
4.4 Downlink Commands.....	17

1. Product Introduction

1.1 Overview

WS52x is a LoRaWAN® smart portable socket for the monitoring and control of electronic appliances. Supporting a variety of international socket types, WS52x can be used to turn on or off the electronic devices locally or remotely, to measure power consumption data, and even to send alarms in case of overcurrent events. Due to its intelligence, WS52x is suitable for wireless control of indoor lights, fans, heaters, machines, etc.

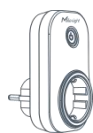
Power data is transmitted via LoRaWAN® protocol, and LoRaWAN® technology enables encrypted radio transmissions over long distances while consuming very little power. Also, users can check visualized data through Milesight IoT Cloud or through the user's own Application Server.

1.2 Features

- Plug & play experience
- Support a variety of international socket types
- Turn on/off devices and create timing switch-on/off schedules remotely
- Collect data of current, voltage, electrical consumption
- Support overload protection
- Up to 15 km communication range
- Easy configuration via NFC
- Standard LoRaWAN® technology
- Compatible with Milesight IoT Cloud and Milesight ToolBox

2. Hardware Introduction

2.1 Packing List



1 ×

WS52x Socket



1 ×

Quick Guide



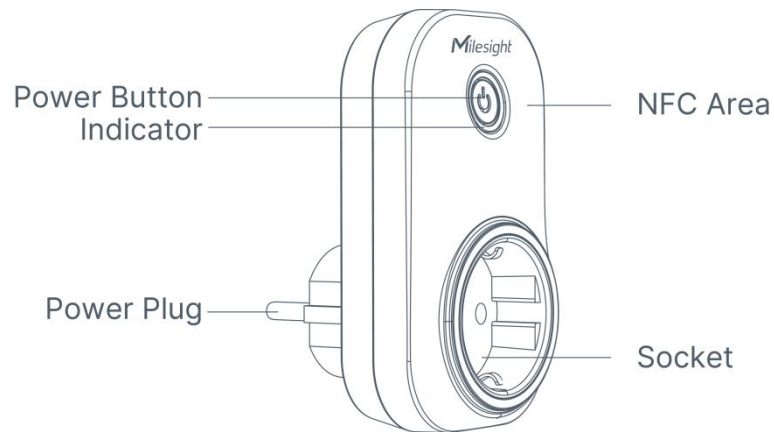
1 ×

Warranty Card



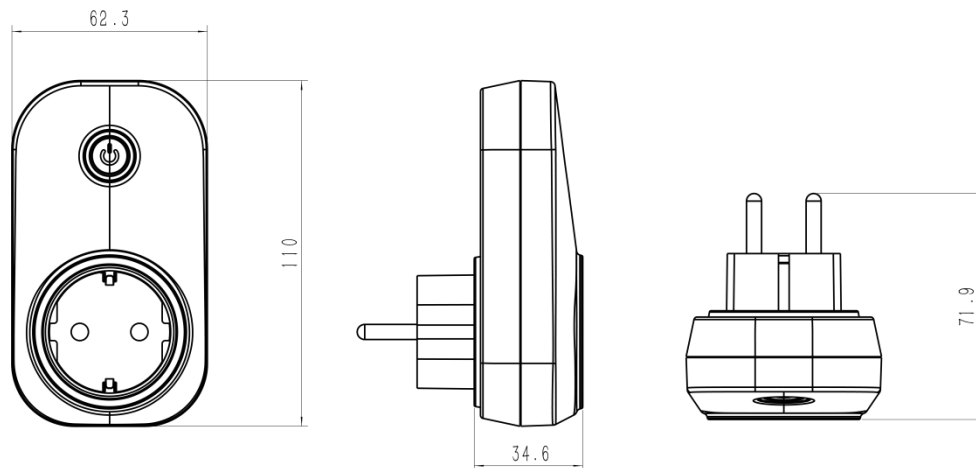
If any of the above items is missing or damaged, please contact your sales representative.

2.2 Hardware Overview



Note: The outlook will differ according to socket types.

2.3 Dimensions (mm)



Note: The plug size will a little differ according to socket types.

2.4 Power Button and LED Patterns

Function	Action	LED Indicator
Open the Socket	Press the power button.	Off → Static On
Close the Socket		Static On → Off
Network Status	Send join network requests.	Blinks once
	Join the network successfully.	Blinks twice
Reset to Factory Default	Press and hold the power button for more than 10s.	Quickly blinks

Note:

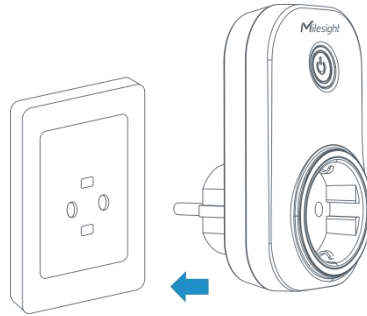
- 1) Network status will only display when LED is enabled and the socket powers on.
- 2) If WS52x still fails to join the network after 32 join requests, the LED will stop blinking.
- 3) Reset operation is not affected even button lock is enabled or LED indicator is disabled.

3. Operation Guide

3.1 NFC Configuration

WS52x can be configured via smartphone with NFC function.

1. Plug WS52x into a wall socket, then WS52x will switch on automatically.



2. Download and install “Milesight ToolBox” App from Google Play or App Store.
3. Enable NFC on the smartphone and launch Milesight ToolBox.
4. Attach the smartphone with NFC area to the device to read device information. Basic information and settings of the device will be shown on ToolBox App if it’s recognized successfully. You can read and configure the device by tapping the Read/Write device on the App. In order to protect the security of the device, password validation is required when configuring via smartphone. Default password is **123456**.
5. Press the power button, WS52x portable socket will supply the electric power to other electronic appliances.



Note:

- 1) Check the NFC area of your smartphone and it’s recommended to remove the phone case.
- 2) If the smartphone fails to read/write configurations via NFC, move the phone away and back to try again.
- 3) WS52x can also be configured on ToolBox via dedicated NFC reader provided by Milesight IoT.

3.2 LoRaWAN Settings

LoRaWAN settings are used to configure the data transmission parameters in LoRaWAN® network.

3.2.1 Basic Settings

WS52x supports basic configurations like join type, App EUI, App Key and other information. You can also keep all settings by default.

Device EUI	<input type="text" value="24E124127A270222"/>
App EUI	<input type="text" value="24E124C0002A0001"/>
Application Port	<input type="text" value="85"/>
Join Type	<input type="text" value="OTAA"/>
Application Key	<input type="text" value="*****"/>
Spread Factor	<input type="text" value="SF10-DR2"/>
Confirmed Mode	<input type="checkbox"/>
Rejoin Mode	<input checked="" type="checkbox"/>
Set the number of packets sent	<input type="text" value="32"/> packets
ADR Mode	<input checked="" type="checkbox"/>

Parameters	Description
Device EUI	Unique ID of the device which can also be found on the label.
App EUI	Default App EUI is 24E124C0002A0001.
Application Port	The port used for sending and receiving data, default port is 85.
Join Type	OTAA and ABP modes are available.
Application Key	Appkey for OTAA mode, default is 5572404C696E6B4C6F52613230313823.
Device Address	DevAddr for ABP mode, default is the 5 th to 12 th digits of SN.
Network Session Key	Nwkskey for ABP mode, default is 5572404C696E6B4C6F52613230313823.
Application Session Key	Appskey for ABP mode, default is 5572404C696E6B4C6F52613230313823.
Spread Factor	If ADR is disabled, the device will send data via this spread factor.
Confirmed Mode	If the device does not receive ACK packet from network server, it will resend data 3 times at most.
Rejoin Mode	Reporting interval \leq 30 mins: device will send specific numbers of LoRaMAC

	<p>packets to check connection status every 30 mins; If no replies after specific packets are being sent, the device will re-join.</p> <p>Reporting interval > 30 mins: device will send specific numbers of LoRaMAC packets to check connection status at every reporting interval; If no replies after specific packets are being sent, the device will re-join.</p>
ADR Mode	Allow network server to adjust data rate of the device.
Tx Power	Transmit power of device.
RX2 Data Rate	RX2 data rate to receive downlinks.
RX2 Frequency	RX2 frequency to receive downlinks.

Note:

- 1) Please contact sales representative for device EUI list if there are many units.
- 2) Please contact sales representative if you need random App keys before purchase.
- 3) Select OTAA mode if you use Milesight IoT Cloud to manage devices.
- 4) Only OTAA mode supports rejoin mode.

3.2.2 Frequency Settings

Select supported frequency and select channels to send uplinks. Make sure the channels match the LoRaWAN[®] gateway.

* Support Frequency

AS923

* Channel Plan

AS923-1

<input checked="" type="checkbox"/>	-	923.2	+
<input checked="" type="checkbox"/>	-	923.4	+
<input type="checkbox"/>	-	922.2	+
<input type="checkbox"/>	-	922.4	+

If device frequency is one of CN470/AU915/US915, you can enter the index of the channel that you want to enable in the input box, making them separated by commas.

Examples:

1, 40: Enabling Channel 1 and Channel 40

1-40: Enabling Channel 1 to Channel 40

1-40, 60: Enabling Channel 1 to Channel 40 and Channel 60

All: Enabling all channels

Null: Indicates that all channels are disabled

* Support Frequency

AU915

Enable Channel Index ⓘ

0-71

Index	Frequency/MHz ⓘ
0 - 15	915.2 - 918.2
16 - 31	918.4 - 921.4
32 - 47	921.6 - 924.6
48 - 63	924.8 - 927.8

Note:

For -868M model, default frequency is EU868;

For -915M model, default frequency is AU915.

3.2.3 Multicast Settings

WS52x supports setting up several multicast groups to receive multicast commands from network server and users can use this feature to control devices in bulks.

1. Enable Multicast Group on WS52x, set a unique multicast address and keys to distinguish other groups. You can also keep these settings by default.

Multicast Address ⓘ

11111111

Multicast McNetSKey

Multicast McAppSKey

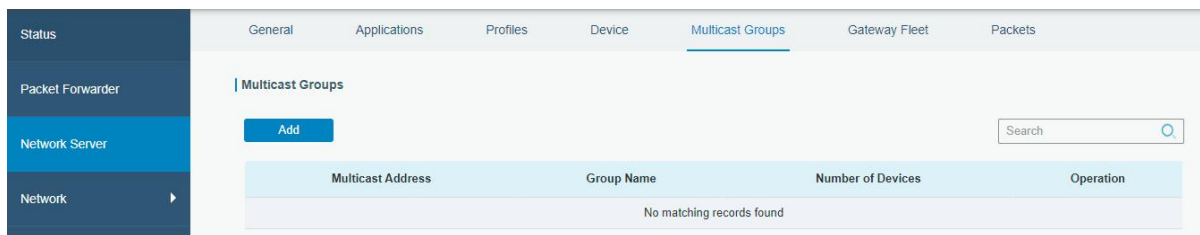
Multicast Group2

Multicast Group3

Multicast Group4

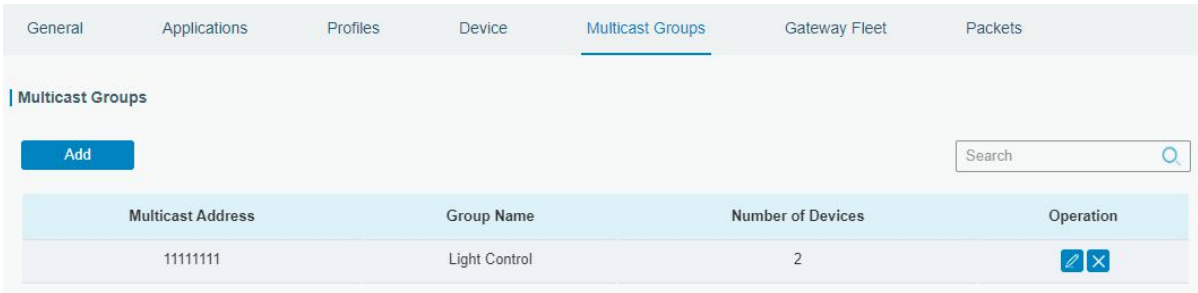
Parameters	Description
Multicast Address	Unique 8-digit address to distinguish different multicast groups.
Multicast McNetSkey	32-digit key. Default values: Multicast Group 1: 5572404C696E6B4C6F52613230313823 Multicast Group 2: 5572404C696E6B4C6F52613230313824 Multicast Group 3: 5572404C696E6B4C6F52613230313825 Multicast Group 4: 5572404C696E6B4C6F52613230313826
Multicast McAppSkey	32-digit key. Default values: Multicast Group 1: 5572404C696E6B4C6F52613230313823 Multicast Group 2: 5572404C696E6B4C6F52613230313824 Multicast Group 3: 5572404C696E6B4C6F52613230313825 Multicast Group 4: 5572404C696E6B4C6F52613230313826

2. Add a multicast group on the network server. Take Milesight UG6x gateway as example, go to **“Network Server -> Multicast Groups”**, click **“Add”** to add a multicast group.



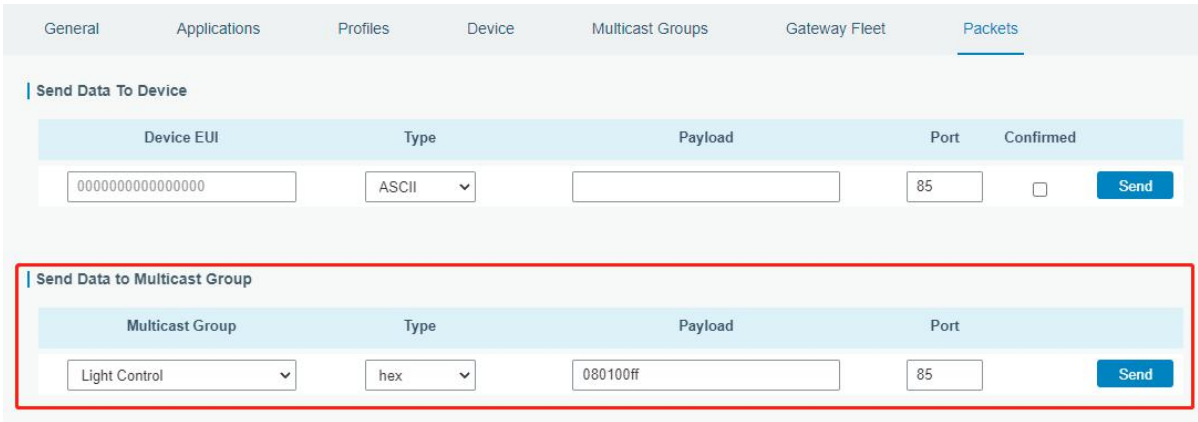
Fill in the multicast group information the same as WS52x settings, and select the devices which you need to control, then click **“Save”**.

Group Name	Light Control
Multicast Address	11111111
Multicast Network Session Key	5572404C696E6B4C6F526132
Multicast Application Session Key	5572404C696E6B4C6F526132
Class Type	Class C
Datarate	DR0 (SF12, 125 kHz)
Frequency	869525000 Hz
Frame-counter	0
Selected Devices	<div style="border: 1px solid #ccc; padding: 5px;"> <div style="display: flex; gap: 10px;"> <div style="background-color: #007bff; color: white; padding: 2px 5px; border-radius: 3px;">10</div> <div style="border: 1px solid #ccc; padding: 2px 5px; border-radius: 3px;">24E124136B261600</div> <div style="background-color: #007bff; color: white; padding: 2px 5px; border-radius: 3px;">x</div> <div style="border: 1px solid #ccc; padding: 2px 5px; border-radius: 3px;">24E124122A233246</div> <div style="background-color: #007bff; color: white; padding: 2px 5px; border-radius: 3px;">x</div> </div> </div>



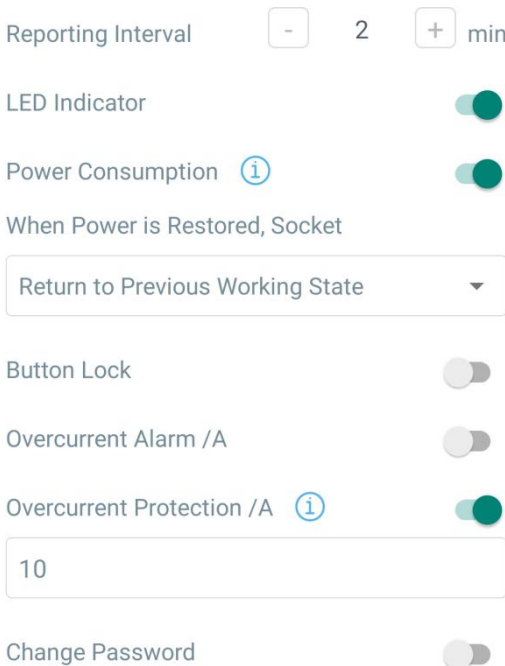
3. Go to **“Network Server -> Packets”**, select the multicast group and fill in the downlink command, click **“Send”**. The network server will broadcast the command to devices which belongs to this multicast group.

Note: ensure all devices’ application ports are the same.



3.3 General Settings

Go to **Device -> Settings -> General Settings** of ToolBox App to change the reporting interval, etc.



Parameters	Description
Reporting Interval	The interval of reporting socket status and electrical parameters. Default: 20 mins, Range: 1-1080 mins
LED Indicator	Enable or disable the light indicating in chapter 2.4 .
Power Consumption	Record the power consumption. If disabled, the device will stop recording and the power consumption value will stop updating.
When Power is Restored, Socket	If the device loses power and return to power supply, the device will switch the socket on or off according to this parameter.
Button Lock	If enabled, the power button status will freeze except reset.
Overcurrent Alarm	When current reaches the threshold, the device will send socket status and device electrical parameters.
Overcurrent Protection	When current reaches the threshold, the device will stop supplying power.
Change Password	Change the password for ToolBox App to write this device.

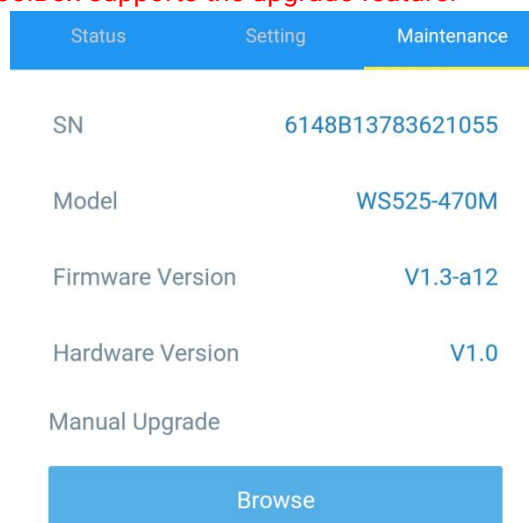
3.4 Maintenance

3.4.1 Upgrade

1. Download firmware from www.milesight-iot.com to your smartphone.
2. Open ToolBox App and click "Browse" to import firmware and upgrade the device.

Note:

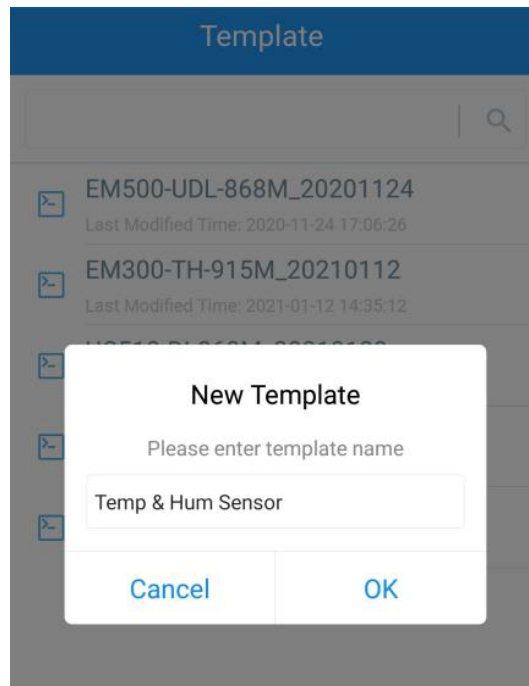
- 1) Operation on ToolBox is not supported during upgrade.
- 2) Only Android version ToolBox supports the upgrade feature.



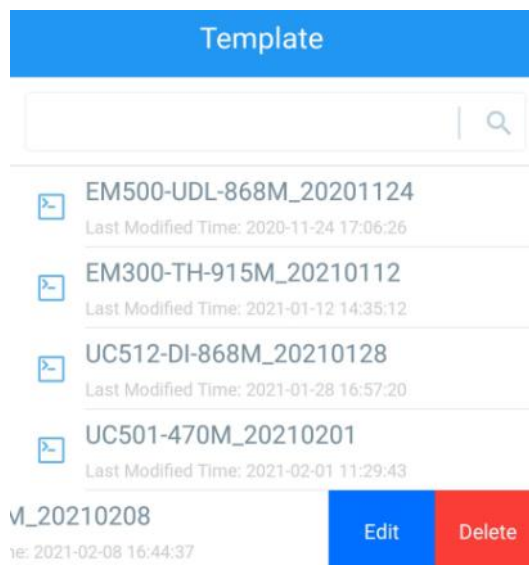
3.4.2 Backup

WS52x supports configuration backup for easy and quick device configuration in bulk. Backup is allowed only for devices with the same model and LoRaWAN® frequency band.

1. Go to “Template” page on the App and save current settings as a template. You can also edit the template file.
2. Select one template file that saved in the smartphone and click “Write”, then attach it to another device to write configuration.



Note: Slide the template item to the left to edit or delete the template. Click the template to edit the configurations.



3.4.3 Reset to Factory Default

Please select one of the following methods to reset device:

Via Hardware: Hold on the power button for more than 10s until LED quickly blinks.

Via ToolBox App: Go to **Device -> Maintenance** to tap "Reset", then attach smartphone with NFC area to device to complete the resetting.

4. Device Payload

All data are based on the following format (HEX):

Channel1	Type1	Data1	Channel2	Type2	Data2	Channel 3	...
1 Byte	1 Byte	N Bytes	1 Byte	1 Byte	M Bytes	1 Byte	...

For decoder examples you can find at <https://github.com/Milesight-IoT/SensorDecoders>.

4.1 Basic Information

WS52x reports basic information of device every time when it joins the network.

Channel	Type	Description
ff	01(Protocol Version)	01=>V1
	09 (Hardware Version)	01 40 => V1.4
	0a (Software Version)	01 14 => V1.14
	0b (Power On)	Device is on
	16 (Device SN)	16 digits
	24 (Overcurrent Alarm)	Byte 1: 00-disabled, 01-enabled Byte 2: current threshold
	25 (Button Lock)	00 00-disabled, 00 80-enabled
	26 (Power Consumption)	00-disabled, 01-enabled
	30 (Overcurrent Protection)	Byte 1: 00-disabled, 01-enabled Byte 2: current threshold

Example:

ff0101 ff166148b13783621055 ff090100 ff0a0103 ff24010a ff30010a ff250080 ff2601					
Channel	Type	Value	Channel	Type	Value
ff	01 (Protocol Version)	01(V1)	ff	16(Device SN)	6148b13783 621055

Channel	Type	Value	Channel	Type	Value
ff	09 (Hardware Version)	0100 (V1.0)	ff	0a (Software Version)	0103 (V1.3)
Channel	Type	Value	Channel	Type	Value
ff	24 (Overcurrent Alarm)	01=>Enabled 0a=10A	ff	30 (Overcurrent Protection)	01=>Enabled 0a=10A
Channel	Type	Value	Channel	Type	Value
ff	25(Button Lock)	00 80=>Enabled	ff	26 (Power Consumption)	01=>Enabled

4.2 Sensor Data

WS52x reports electrical data according to reporting interval (20 mins by default) or when current reaches the overcurrent threshold.

Channel	Type	Description
03	74 (Voltage)	UINT16, Unit: V Resolution: 0.1V
04	80 (Active Power)	UINT32, Unit: W
05	81 (Power Factor)	UINT8, Unit: %
06	83 (Power Consumption)	UINT32, Unit: Wh
07	c9 (Current)	UINT16, Unit: mA
08	70 (Socket Status)	00: Close, 01: Open

Example:

Channel	Type	Value	Channel	Type	Value
087001 058129 07c91200 0374f508 068305000000 048001000000					
08	70 (Socket Status)	01 => Open	05	81 (Power Factor)	29=> 41%
Channel	Type	Value	Channel	Type	Value
07	C9 (Current)	12 00=>00 12=18mA	03	74(Voltage)	f5 08=>08 f5=2293 Voltage=2293 *0.1=229.3V
Channel	Type	Value	Channel	Type	Value
06	83(Power Consumption)	05 00 00 00=>00 00 00 05=5 Wh=0.005kWh	04	80 (Active Power)	01 00 00 00=>00 00 00 01=1 W

4.3 Power Outage Alert

WS52x will report an alert message when power supply of WS52x is disconnected. This feature only works with hardware version 1.2 and later.

ff3fff		
Channel	Type	Value
ff	3f (Power Outage)	ff(Reversed)

4.4 Downlink Commands

WS52x supports downlink commands to configure the device. Application port is 85 by default.

Channel	Type	Description
08	/	00 00 ff-close, 01 00 ff-open
ff	03 (Set Reporting Interval)	2 Bytes, unit: s
	22 (Add Delay Task)	Byte 1: 00 Byte 2-3: delay time, unit: s Byte 4: 10-close, 11-open Note: WS52x supports adding only one task. Later command will cover previous command.
	23 (Delete Delay Task)	00 ff
	24 (Overcurrent Alarm)	Byte 1: 00-disable, 01-enable Byte 2: current threshold
	25 (Button Lock)	00 00-disable, 00 80-enable
	26 (Power Consumption)	00-disable, 01-enable
	27 (Reset Power Consumption)	ff
	28 (Enquire Electrical Status)	ff
	2f (LED Mode)	00-disable, 01-enable
	30 (Overcurrent Protection)	Byte 1: 00-disable, 01-enable Byte 2: current threshold

Example:

1. Open the supply of the socket.

080100ff	
Channel	Command
08	01 00 ff=>Open

2. Set reporting interval as 20 minutes.

ff03b004		
Channel	Type	Value
ff	03 (Set Reporting Interval)	b0 04=>04 b0=1200s =20 minutes

3. Add a delay task: open the socket after 1minute

ff22003c0011		
Channel	Type	Value
ff	22 (Add Delay Task)	Byte 1:00 Byte 2-3: 3c 00=>00 3c=60s=1min Byte 4: 11=>open

4. Delete the delay task

ff2300ff		
Channel	Type	Value
ff	23(Delete Delay Task)	00ff

5. Enable overcurrent alarm and protection and set current threshold as 10A.

ff24010a ff30010a					
Channel	Type	Value	Channel	Type	Value
ff	24 (Overcurrent Alarm)	Byte 1: 01=>enable Byte 2:0a=>10A	ff	30 (Overcurrent Protection)	Byte 1: 01=>enable Byte 2:0a=>10A

6. Reset power consumption

ff27ff		
Channel	Type	Value
ff	27(Reset Power Consumption)	ff (Reserved)

-END-