



BROWAN

Browan Communications Inc.

No.15-1, Zhonghua Rd.,

Hsinchu Industrial Park,

Hukou, Hsinchu,

Taiwan, R.O.C. 30352

Tel: +886-3-6006899

Fax: +886-3-5972970

Document Number	BQW_02_0022.001
-----------------	-----------------

Sensor Accessories Bracket Installation Guide

Revision History

Revision	Date	Description
.001	Aug. 18, 2020	Browan first release



Copyright

© 2020 BROWAN COMMUNICATIONS INC.

This document is copyrighted with all rights reserved. No part of this publication may be reproduced, transmitted, transcribed, stored in a retrieval system, or translated into any language in any form by any means without the written permission of BROWAN COMMUNICATIONS INC.

Notice

BROWAN COMMUNICATIONS INC. reserves the right to change specifications without prior notice.

While the information in this manual has been compiled with great care, it may not be deemed an assurance of product characteristics. BROWAN COMMUNICATIONS INC. shall be liable only to the degree specified in the terms of sale and delivery.

The reproduction and distribution of the documentation and software supplied with this product and the use of its contents is subject to written authorization from BROWAN COMMUNICATIONS INC.

Trademark

The product described in this document is a licensed product of BROWAN COMMUNICATIONS INC.

Contents

REVISION HISTORY	1
COPYRIGHT	2
NOTICE.....	2
TRADEMARK	2
CHAPTER 1 INTRODUCTION	4
1.1 Product Design.....	4
1.2 Product Image	4
1.3 Product Features.....	4
1.4 Product Specification	5
1.5 Application.....	5
CHAPTER 2 INSTALLATION GUIDE	6
Step 1.....	6
Step 2.....	6
Step 3.....	6
Step 4.....	7
Step 5.....	7

Chapter 1 Introduction

1.1 Product Design

The Bracket is part of the accessories of sensor, especially for Motion Sensor PIR. The purpose of the bracket is to adjust the sensor at a specific angle to get more accurate data.

1.2 Product Image

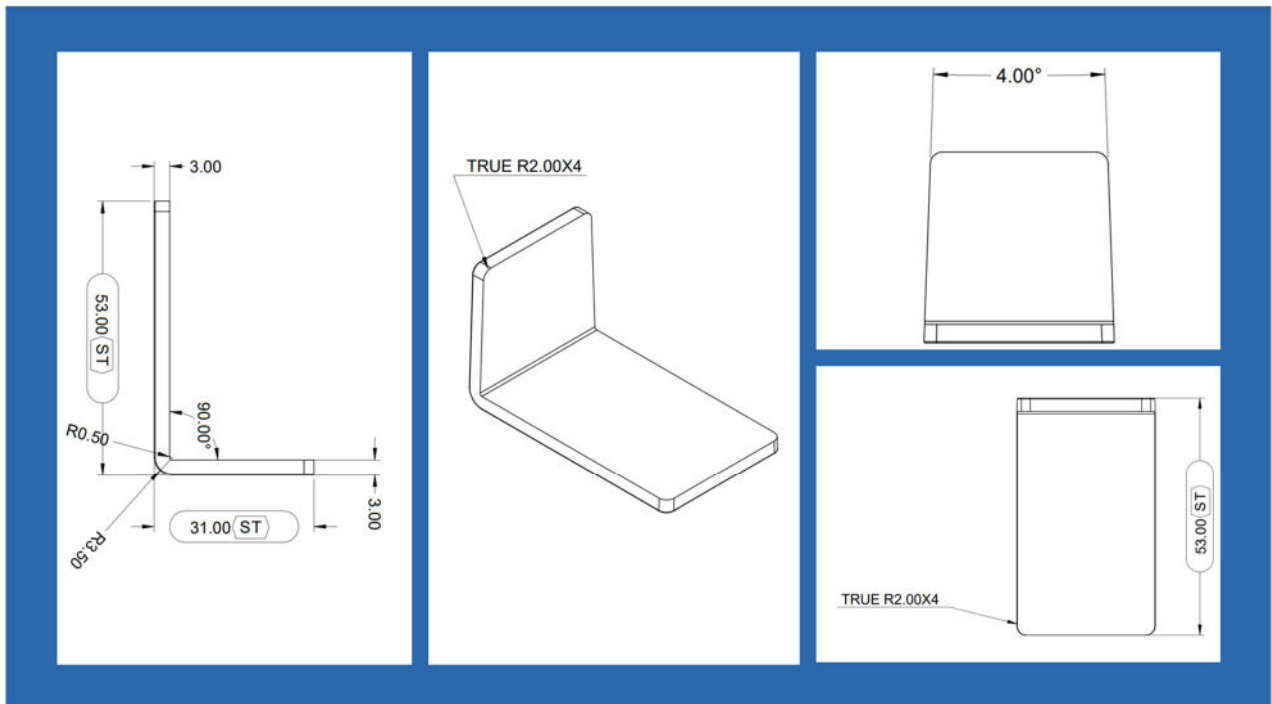


1.3 Product Features

- Comes with 3M VHB double-sided tape
- Easy & fast deployment
- Enhance sensor's installation scenarios

1.4 Product Specification

Material	PC+ABS
Color	Grey
Dimension	53 mm x 31 mm x 31 mm
Accessories	3M VHB double-sided tape



1.5 Product Application

1. Motion Sensor PIR
2. Ambient Light Sensor
3. Sound Level Sensor
4. IR Blaster Sensor
5. Grid-Eye Sensor
6. UV Light Sensor

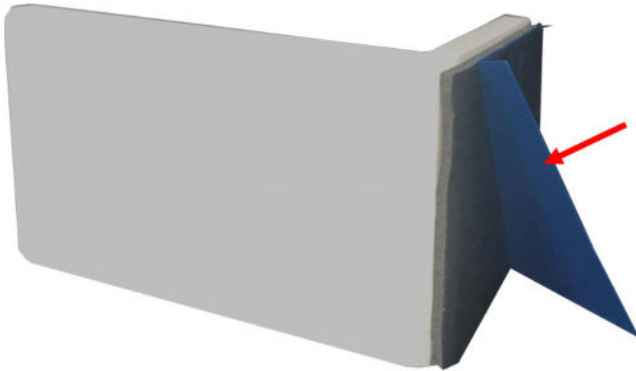
Chapter 2 Installation Guide

Step 1

Clean the surface with alcohol.
(Suggested by 3M™.)

Step 2

Tear off the plastic.



Step 3

Stick the bracket at the desired position.

